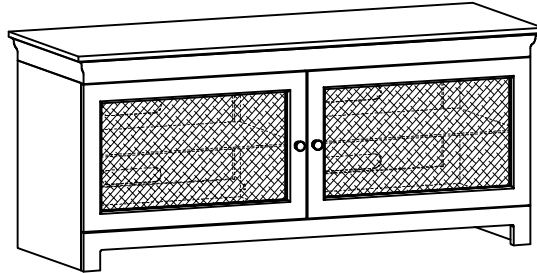
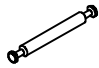
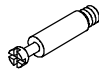
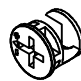








## Assembly Instructions

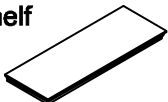
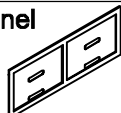
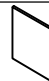
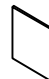
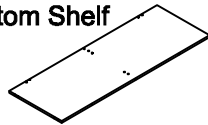
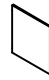

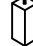
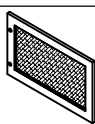
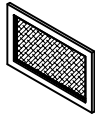
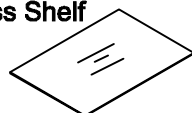
If you have any missing part or question please send email to [info@transdecointl.com](mailto:info@transdecointl.com) or call 1-909-606-3833 for assistance. Please have your product model number ready.



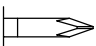

### Hardware

NO.	DESCRIPTION	QTY
A	Double End Connecting Rod	4
	Ø6*64mm 	
B	Bolt	17
	M6*40mm 	
C	Cam Lock	25
	Ø15*12mm 	
D	Wood Dowel	18
	Ø8*30mm 	
E	Metal Pin	8
	M6*35mm 	
F	Door Knob	2
	Ø28*25mm 	
G	Machine Screw	2
	M4*22mm 	
H	Hinge Screw	24
	M4*16mm 	
I	Hinge	4
	Ø35mm 	

### Parts

NO.	DESCRIPTION	QTY
1	Top Shelf 	1
2	Back Panel 	1
3	Left Side 	1
4	Right Side 	1
5	Bottom Shelf 	1
6	Gable 	1
7	Kicker 	1
8	Foot 	1
9	Right Door 	1
10	Left Door 	1
11	Glass Shelf 	2

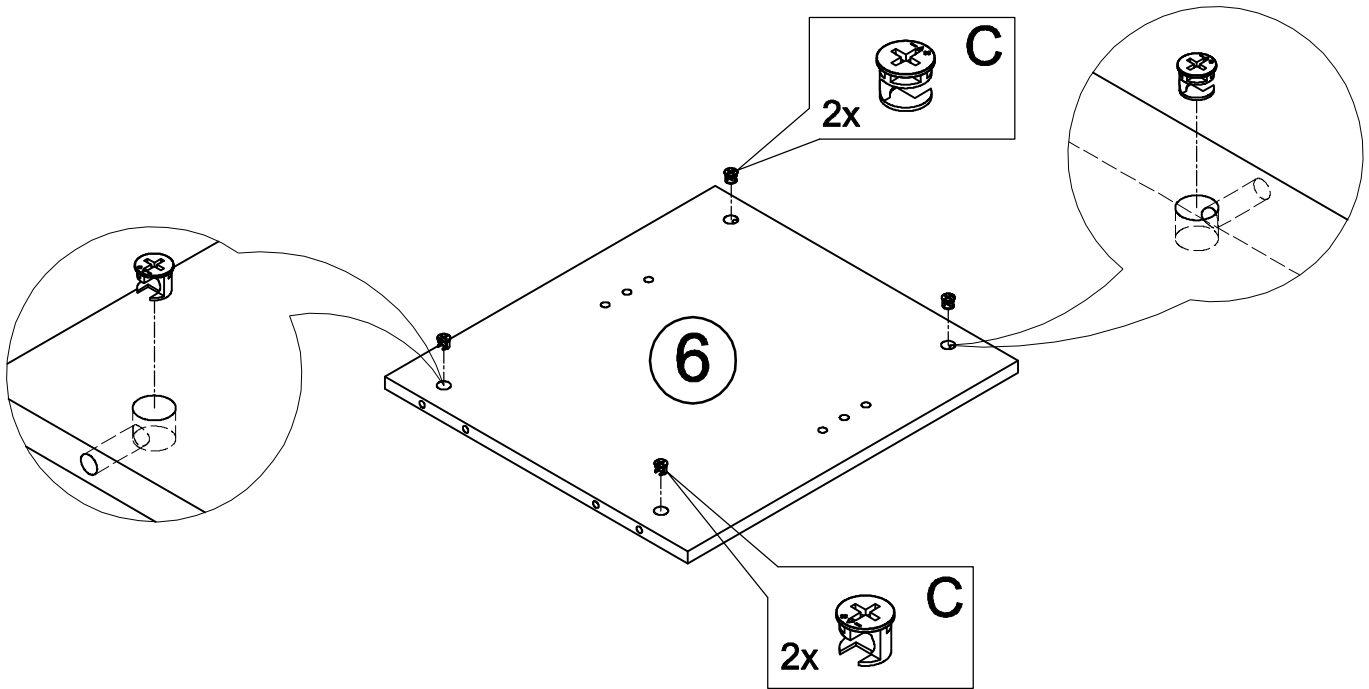
### Tools Required / Not Included

Screwdriver		Phillips Head
		Flat Head

# TD855ES

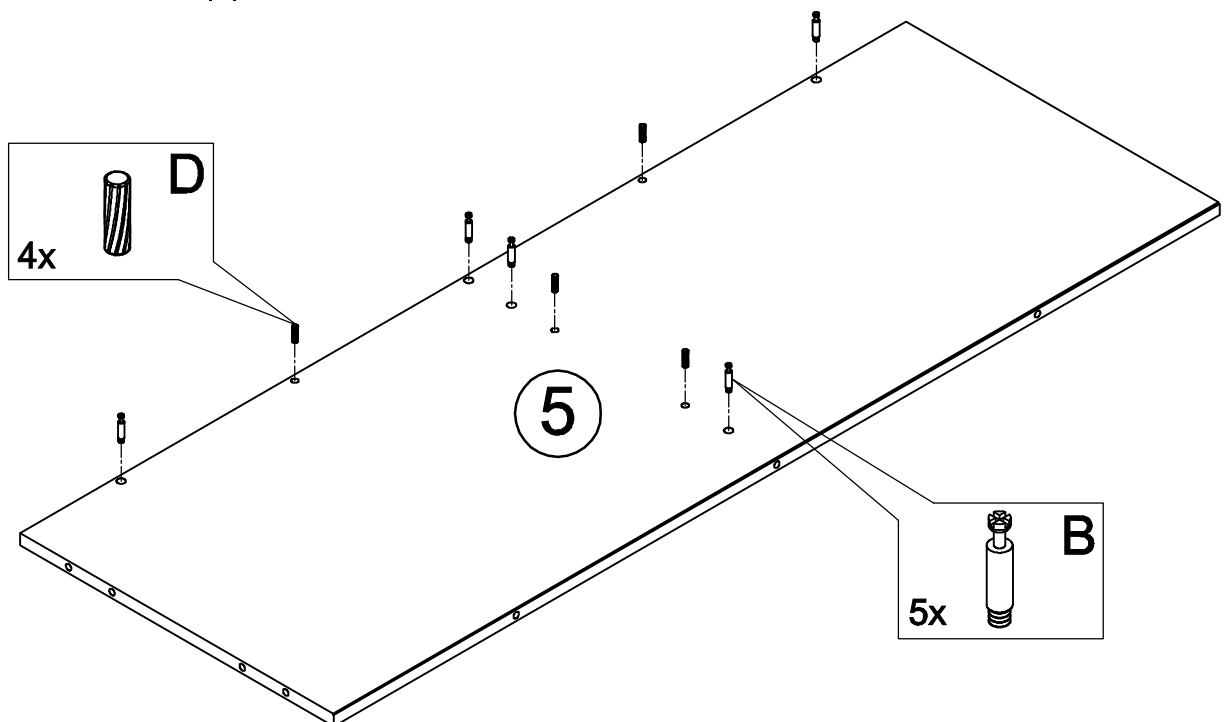
## STEP 1

1a. Insert 4 cams (C) into the Gable (Part 6).



## STEP 2

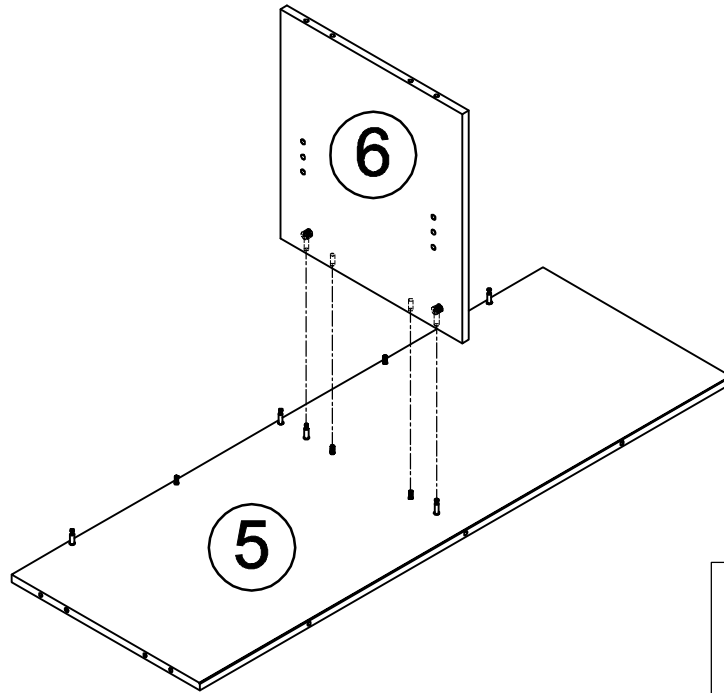
2a. Screw 5 Bolts (B) into the Bottom Shelf (Part 5);  
2b. Insert 4 Wood Dowels (D) into Part 5.



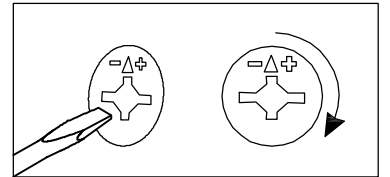
# TD855ES

## STEP 3

3a. Attach the Gable (Part 6) to the Bottom Shelf and lock the 2 lower cams with a flat head screwdriver.

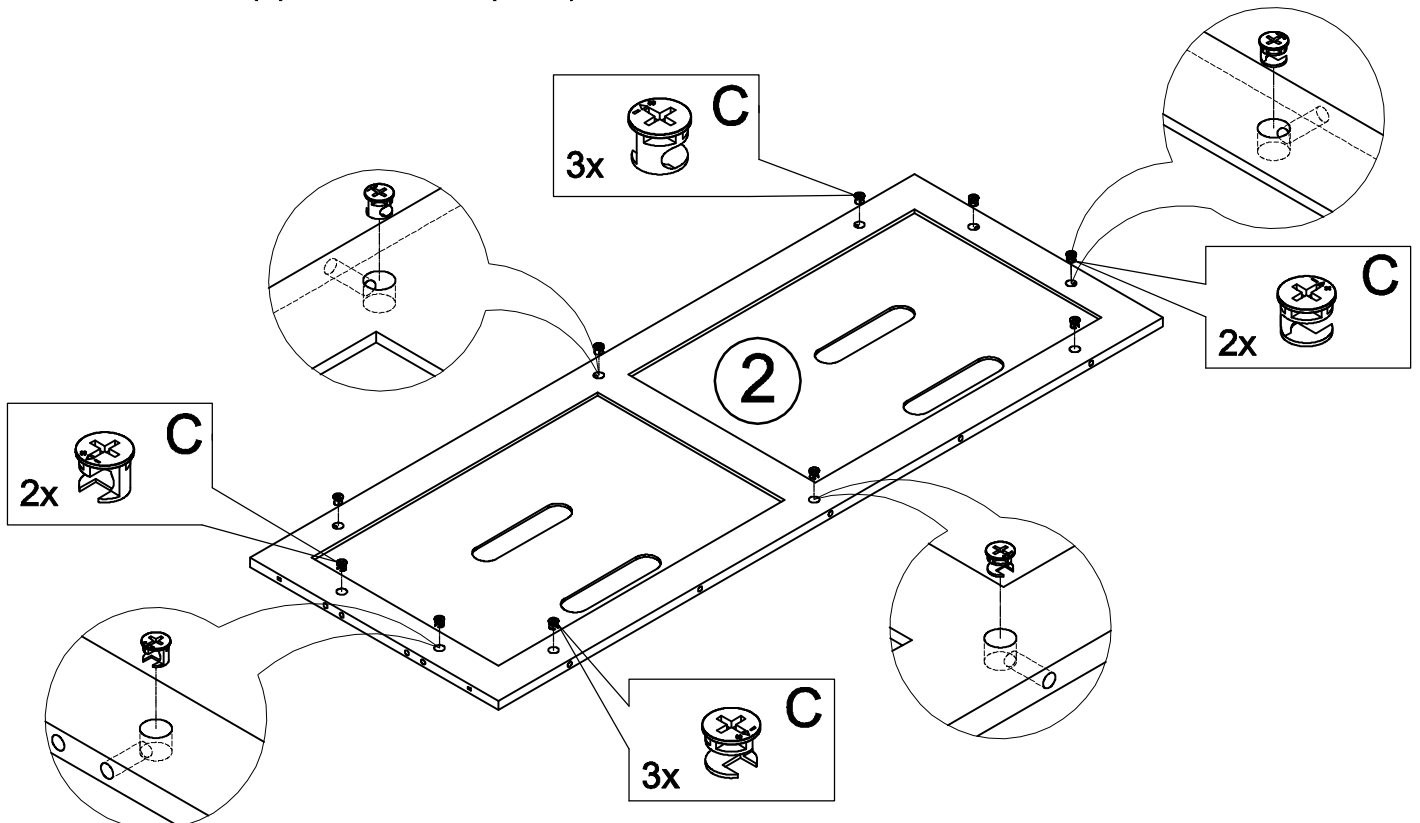


Turn cam 210° clockwise to lock



## STEP 4

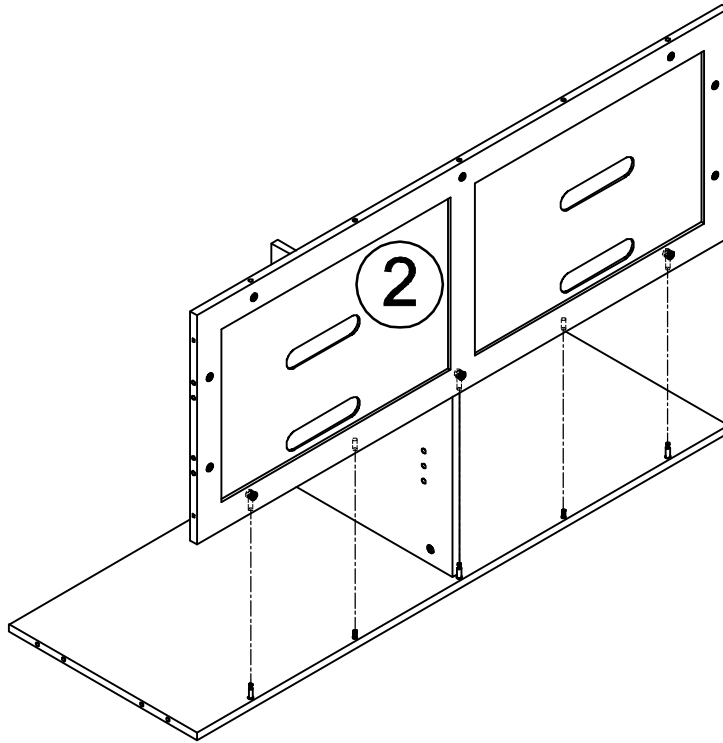
4a. Insert 10 cams (C) into Back Panel (Part 2).



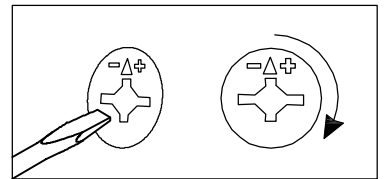
# TD855ES

## STEP 5

5a. Attach the Back Panel (Part 2) to the Bottom Shelf and lock the 3 lower cams.

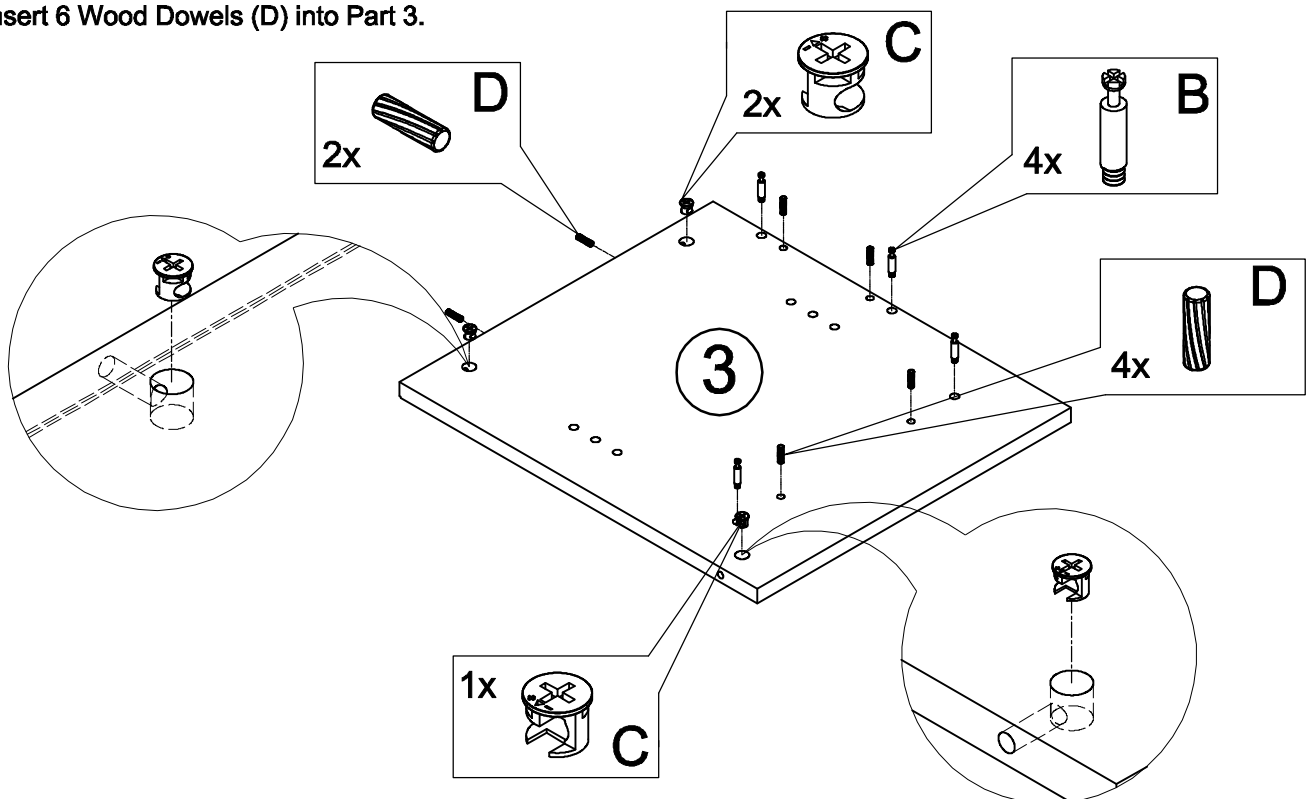


Turn cam 210° clockwise to lock



## STEP 6

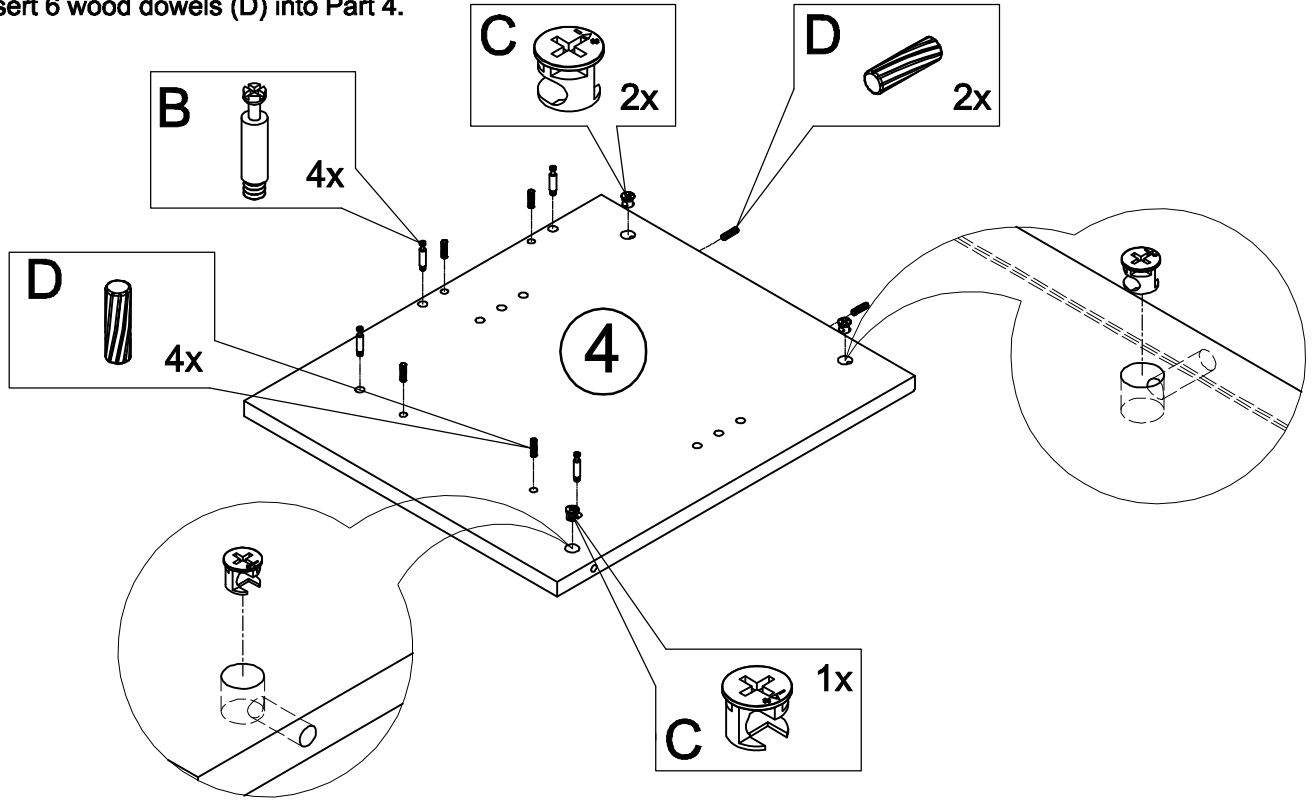
6a. Insert 3 cams (C) into Left Side (Part 3);  
6b. Screw 4 bolts (B) into Part 3;  
6c. Insert 6 Wood Dowels (D) into Part 3.



# TD855ES

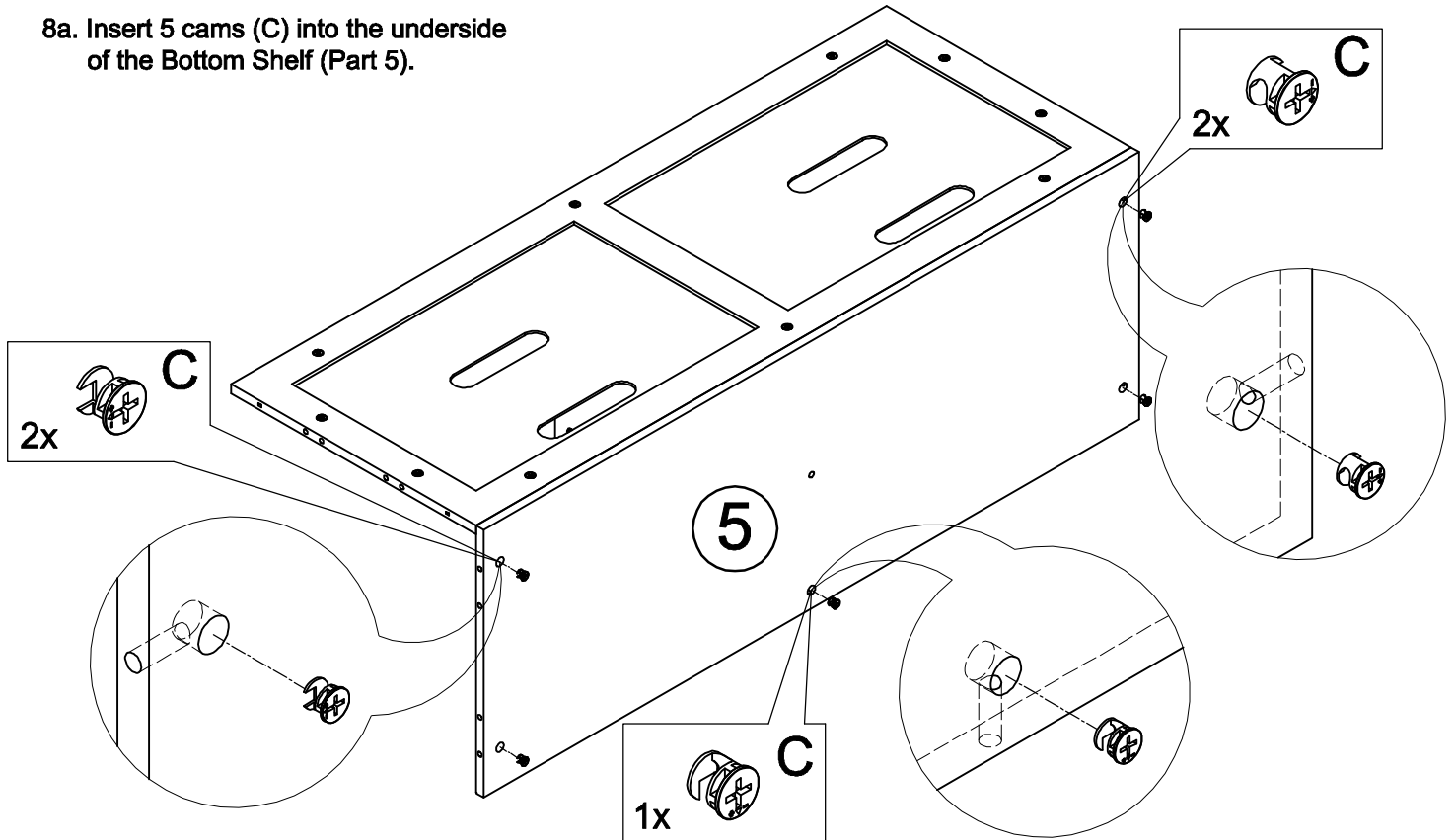
## STEP 7

- 7a. Insert 3 cams (C) into the Right Side (Part 4);
- 7b. Screw 4 bolts (B) into Part 4;
- 7c. Insert 6 wood dowels (D) into Part 4.



## STEP 8

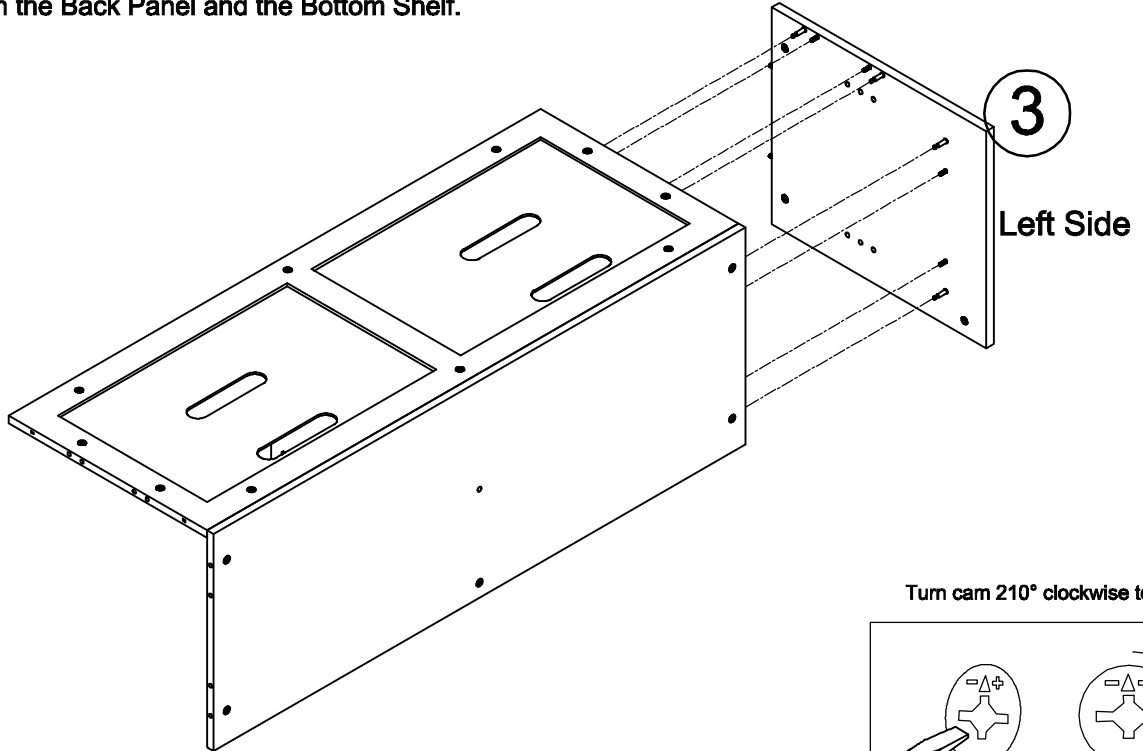
- 8a. Insert 5 cams (C) into the underside of the Bottom Shelf (Part 5).



# TD855ES

## STEP 9

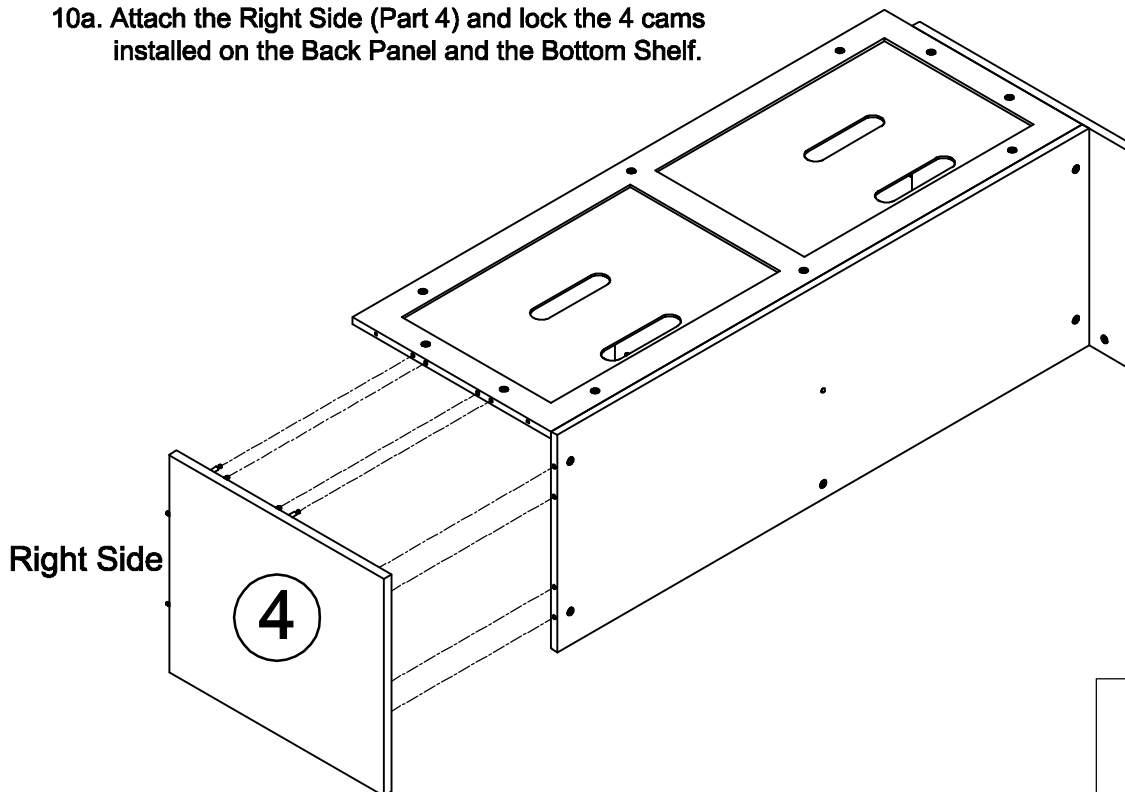
9a. Attach the Left Side (Part 3) and lock the 4 cams installed on the Back Panel and the Bottom Shelf.



Turn cam 210° clockwise to lock

## STEP 10

10a. Attach the Right Side (Part 4) and lock the 4 cams installed on the Back Panel and the Bottom Shelf.

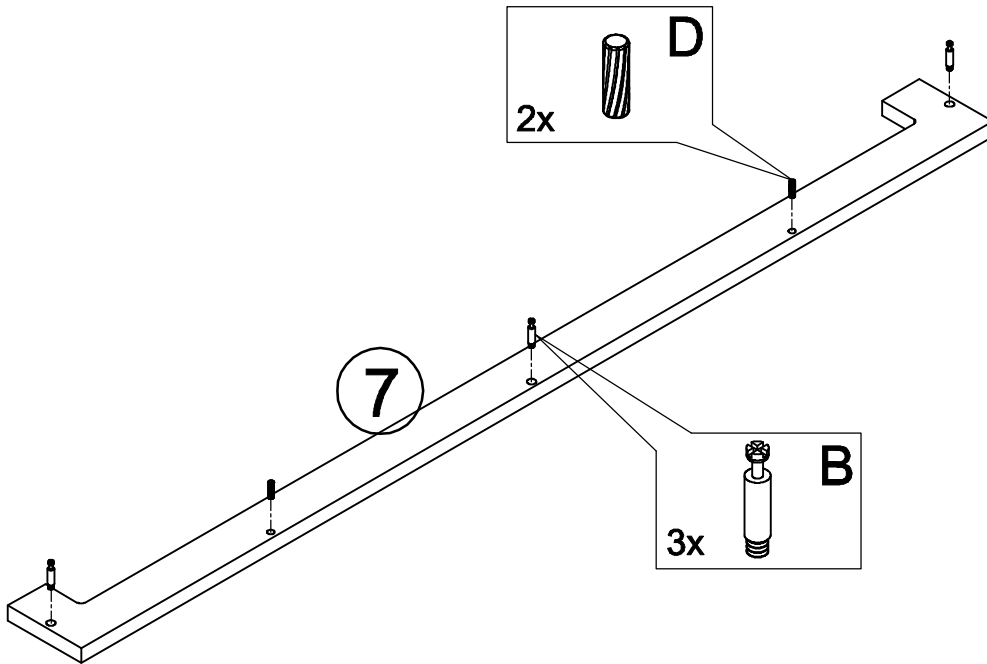


Turn cam 210° clockwise to lock

# TD855ES

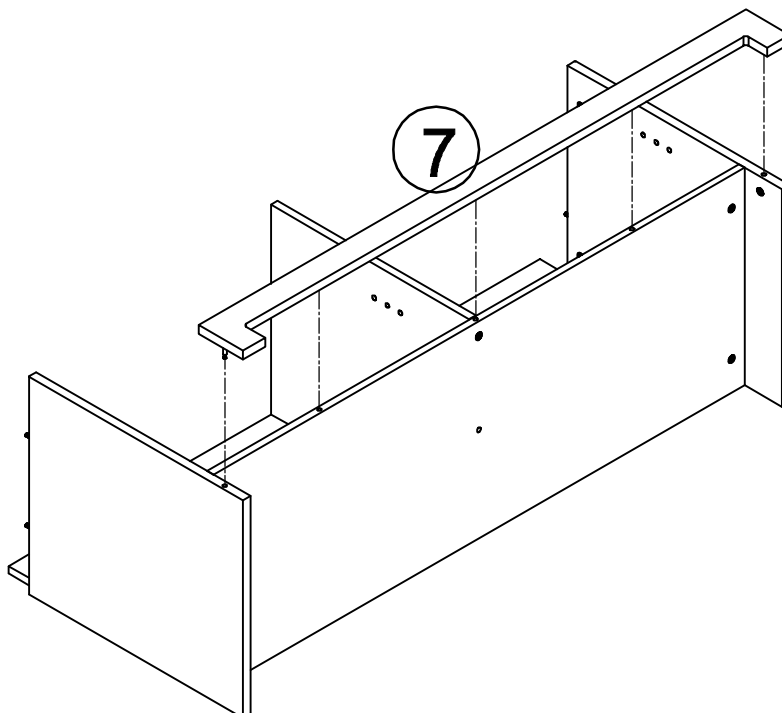
## STEP 11

- 11a. Screw 3 Bolts (B) into the Kicker (Part 7);
- 11b. Insert 2 Wood Dowels (D) into Part 7.

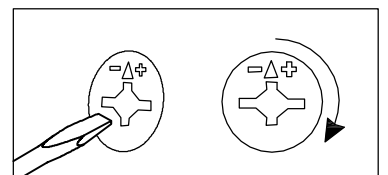


## STEP 12

- 12a. Attach the Kicker and lock the 3 cams installed on the Bottom Shelf and the side panels.



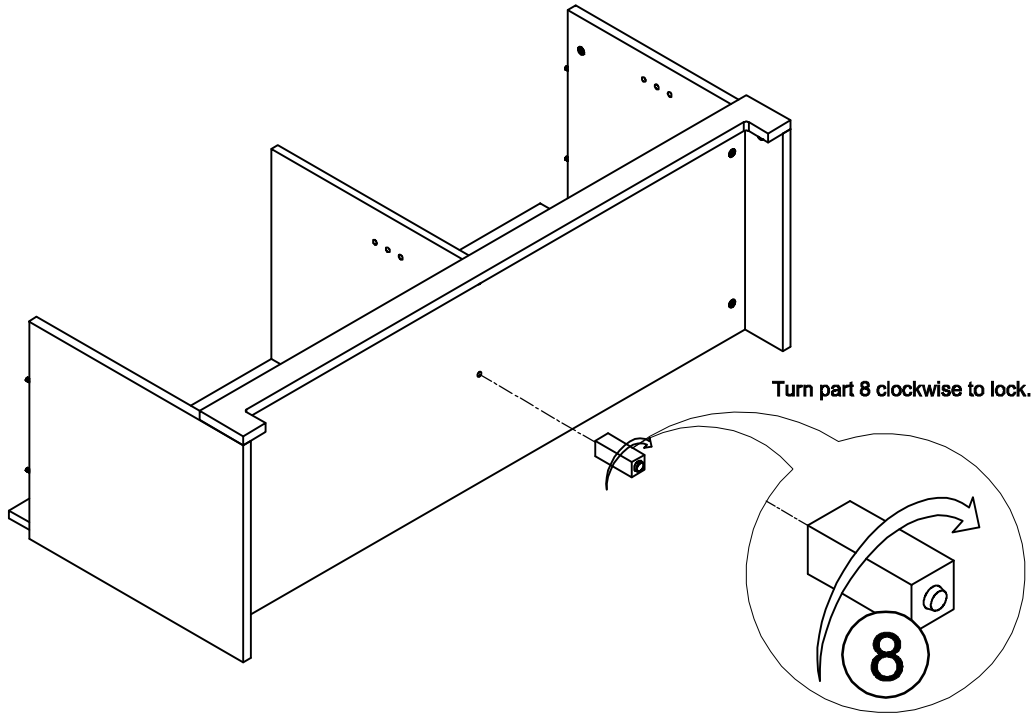
Turn cam 210° clockwise to lock



# TD855ES

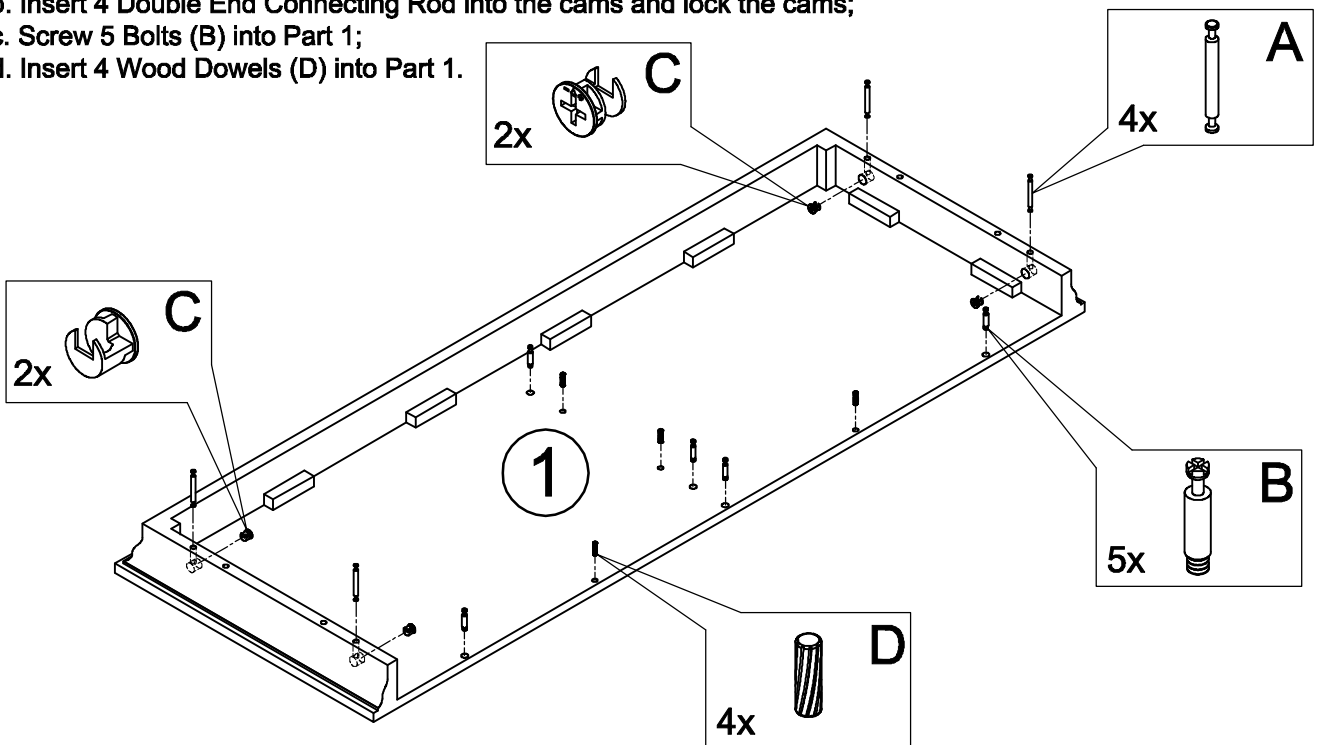
## STEP 13

13a. Install Part 8 to Bottom Shelf.



## STEP 14

- 14a. Insert 4 cams (C) into the Top Shelf (Part 1);
- 14b. Insert 4 Double End Connecting Rod into the cams and lock the cams;
- 14c. Screw 5 Bolts (B) into Part 1;
- 14d. Insert 4 Wood Dowels (D) into Part 1.

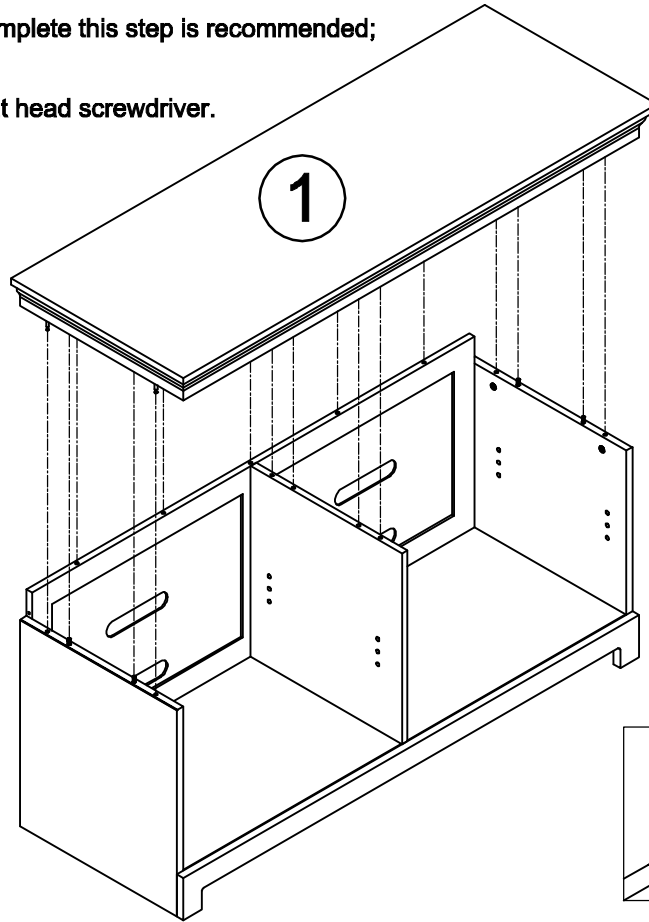


# TD855ES

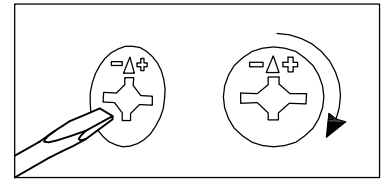
## STEP 15 Two persons to complete this step is recommended;

15a. Attach the top to the structure;

15b. Lock 13 cams installed with a flat head screwdriver.



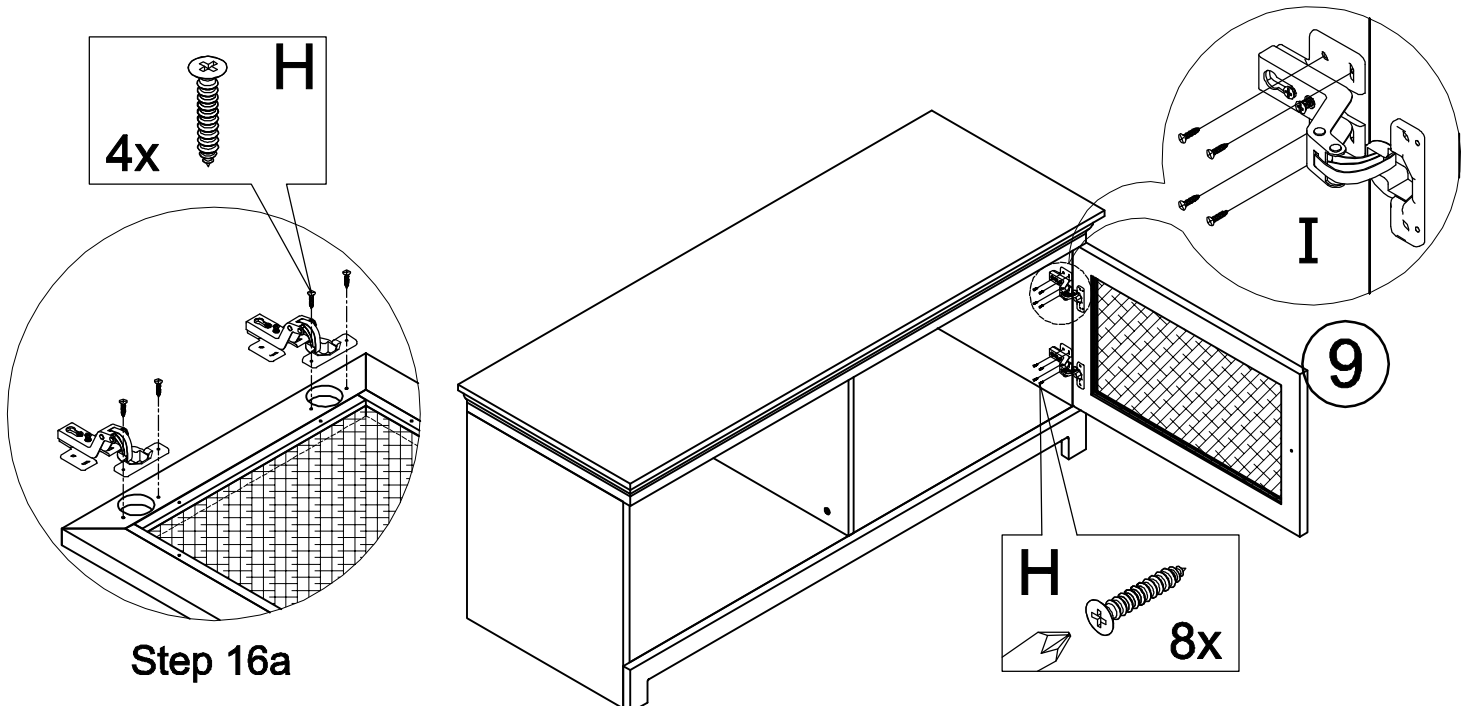
Turn cam 210° clockwise to lock



## STEP 16

16a. Install the Hinges (Part I) to the Right Door;

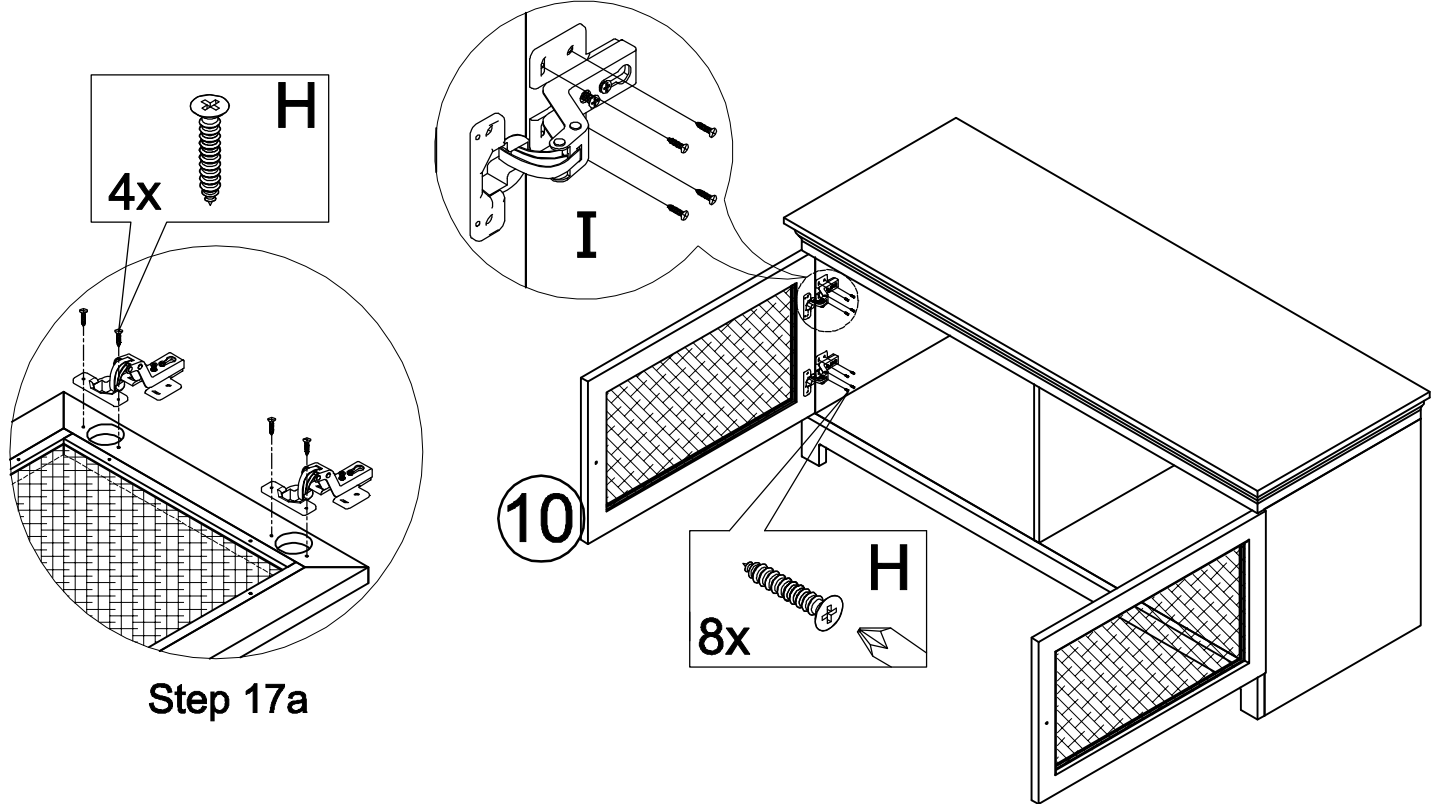
16b. Attach the Right Door with Hinges to the right side Panel.



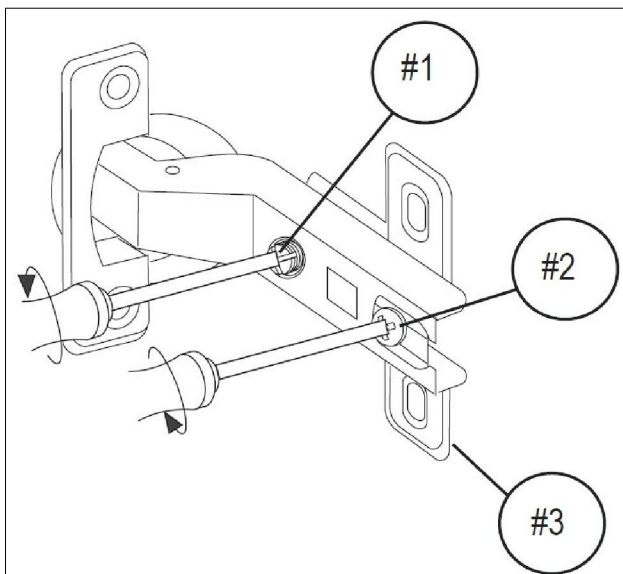
# TD855ES

## STEP 17

- 17a. Install the Hinges (Part I) to the Left Door;  
17b. Attach the Left Door with Hinges to the left side Panel.



## Hinge adjustment instructions



#1. Adjustment Screw

#2. Lock Screw

#3. Mounting plate

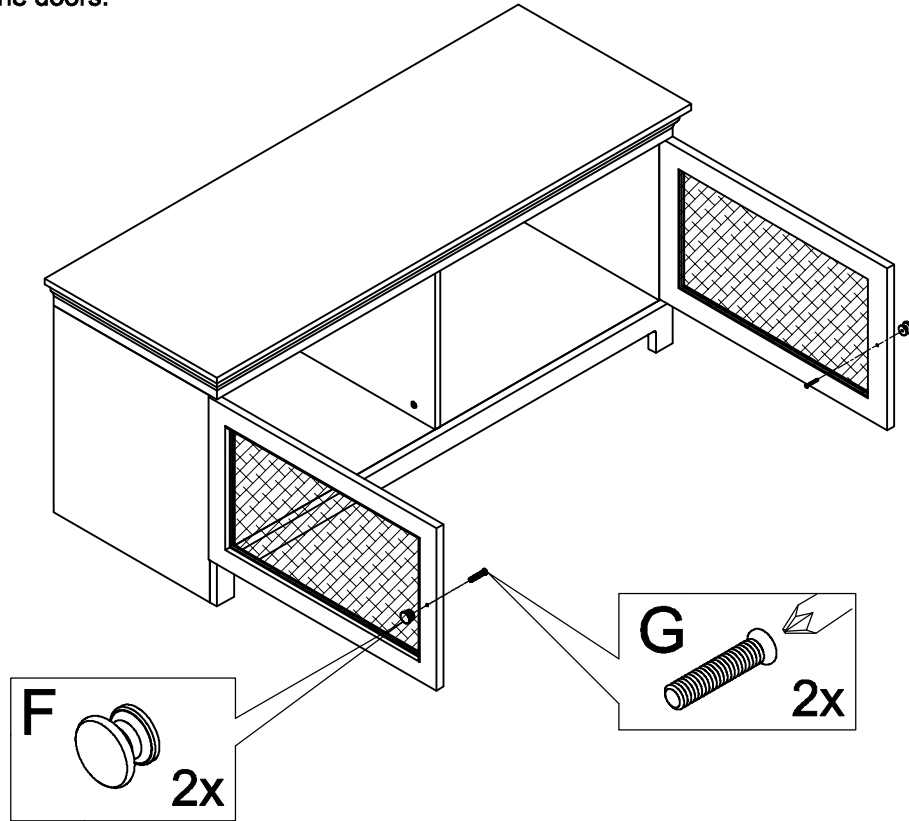
### Hinge adjustment

Close the door. If the top/bottom of the door rubs against the stand, or if the sides of the door do not have the proper clearance adjust the left-right movement of the door by loosening screw #2 on the hinges, then turn screw #1 (on the top or bottom hinge as needed) clockwise or counterclockwise as needed to bring the door to the desired position. Retighten screw #2 and retest the door. If the door still rubs or doesn't have the right clearance, repeat the steps above. Make sure screw #2 is sufficiently tightened when finished.

# TD855ES

## STEP 18

18a. Install the Knob to the doors.



## STEP 19

19a. Screw 8 Pins (E) into the sides and the Gable;  
19b. Insert the Glass Shelf.

