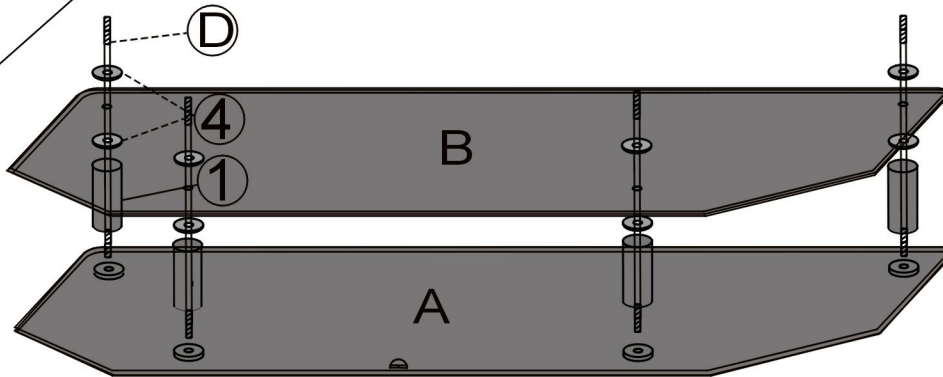


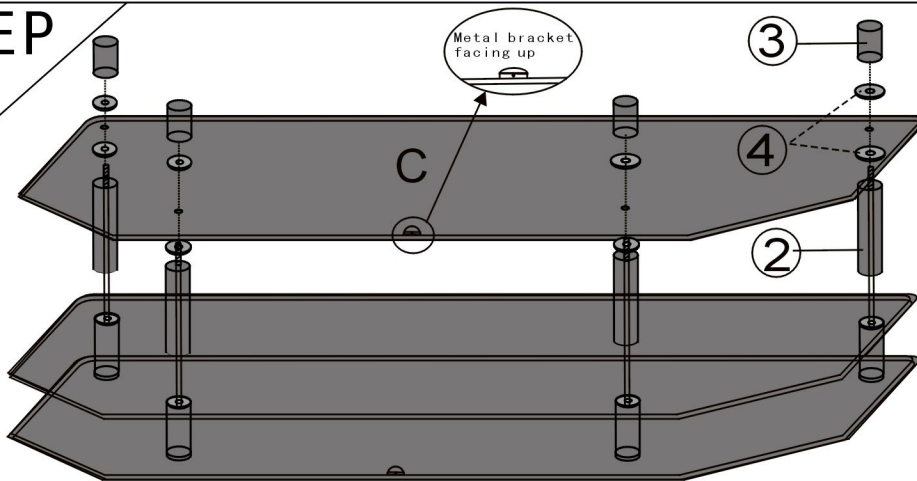
STEP

1



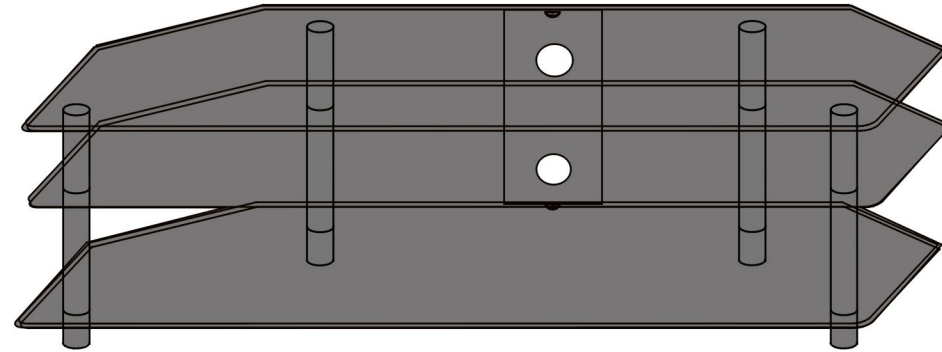
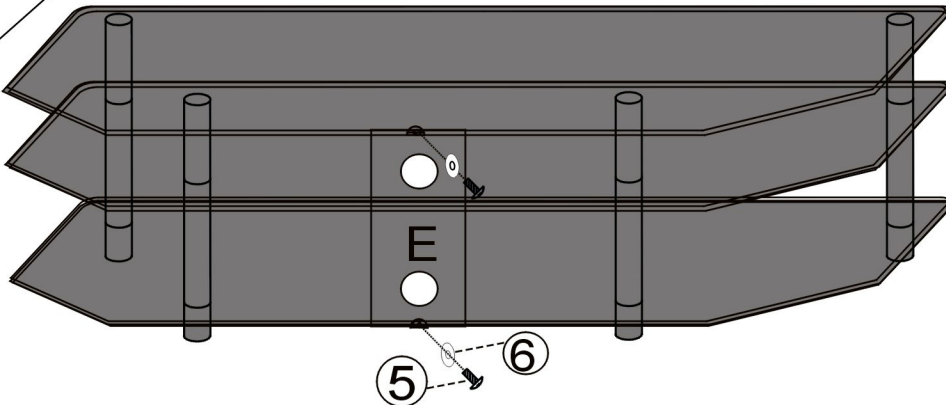
STEP

2



STEP

3



It's highly recommended to use stainless steel polish cleaner (Not included) to clean the surface of the stainless steel poles after assembly.

A	B	C	D	E
1*1345X460X10	1*1345X440X8	1*1345X440X8	4*M8X600	1*585X180

	1	2	3
	4* ϕ 38X190	4* ϕ 38X360	4* ϕ 38X45

4	5	6
16*	2*M4X8	2*M5X9

If you have any missing parts, please send an email to info@transdecointl.com or call 909-606-3833 Mon-fri 9:00AM to 5:00PM Pacific Time. Please have your product model number available.