

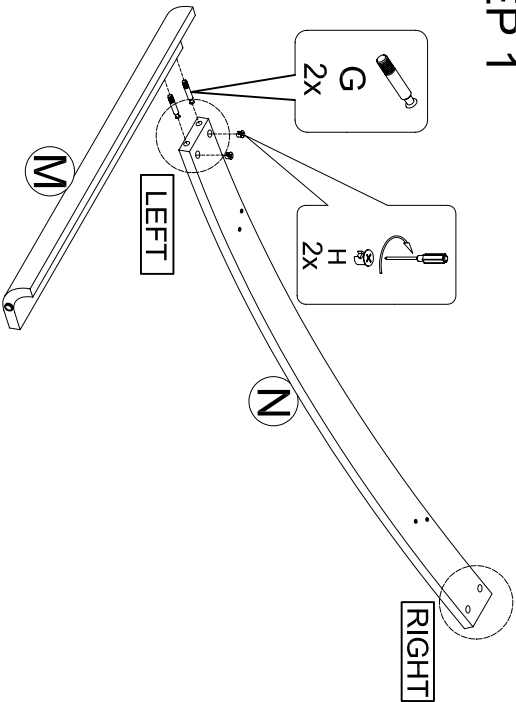


TransDeco

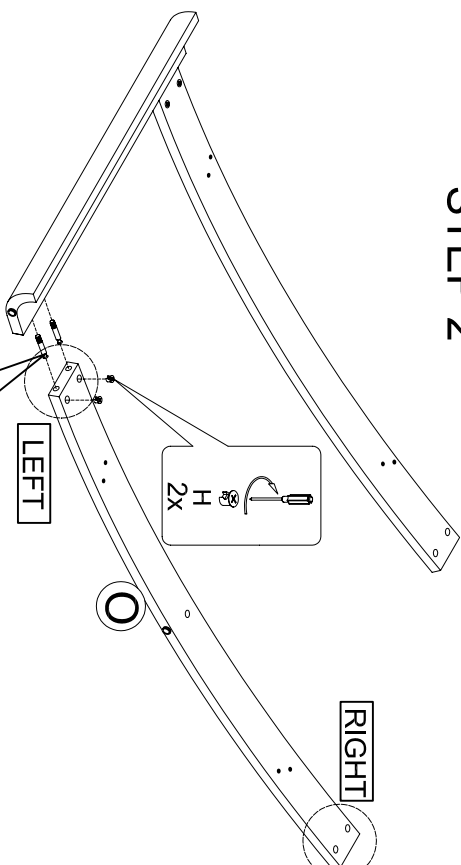
TD610ES/TD610B

If you have any missing part or question please email to info@transdecointl.com or call 909-606-3833
 Mon - Fri 9 AM to 5 PM PST. Please have your product model number available.

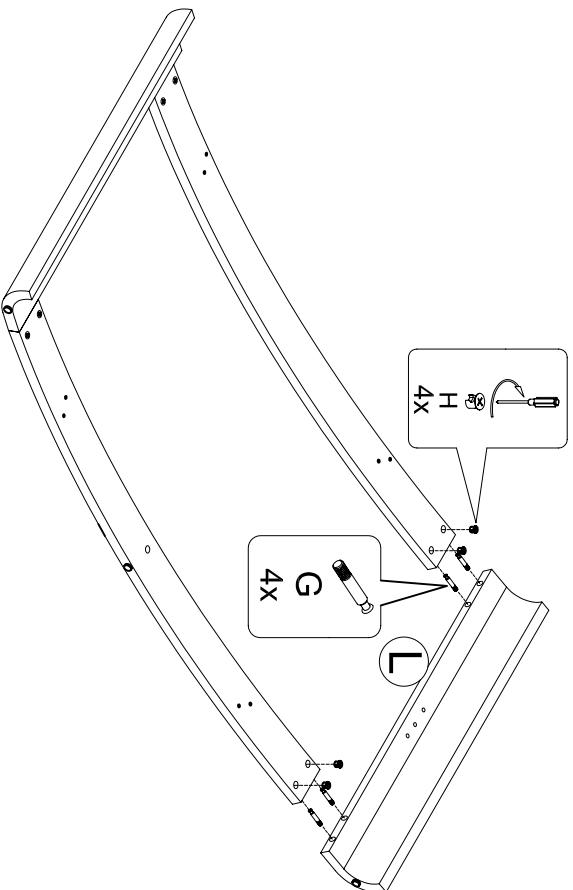
STEP 1



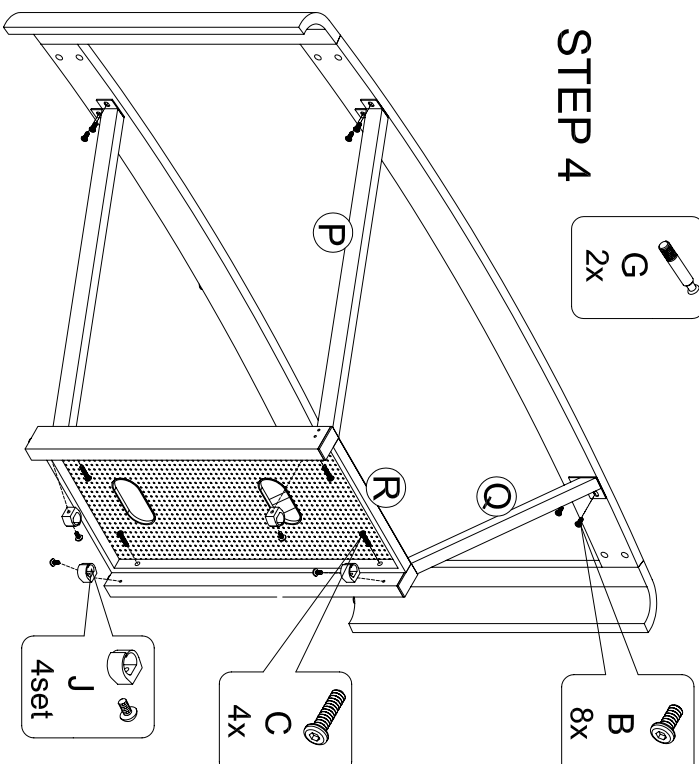
STEP 2



STEP 3

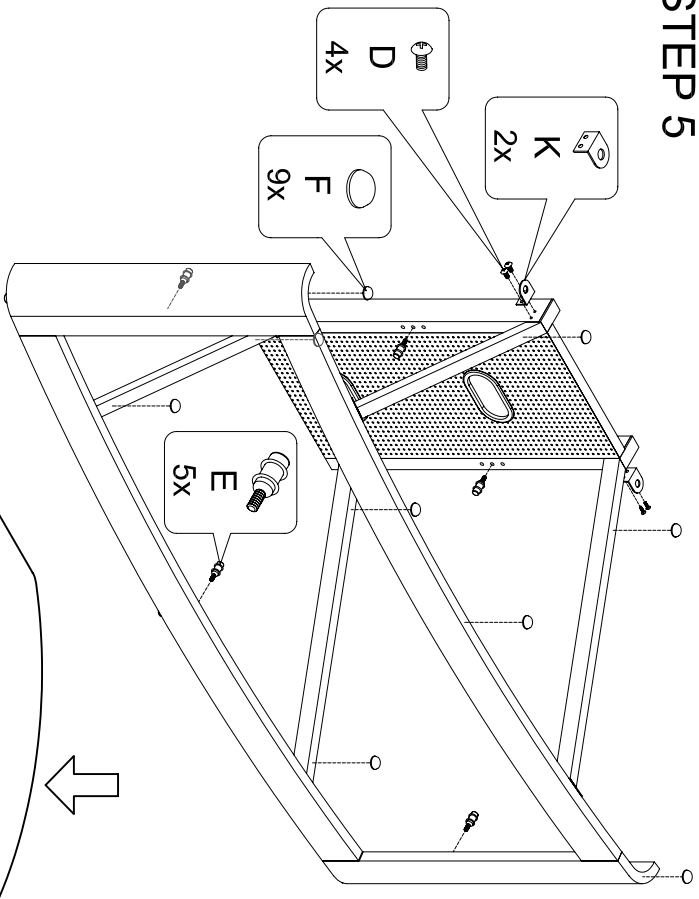


STEP 4

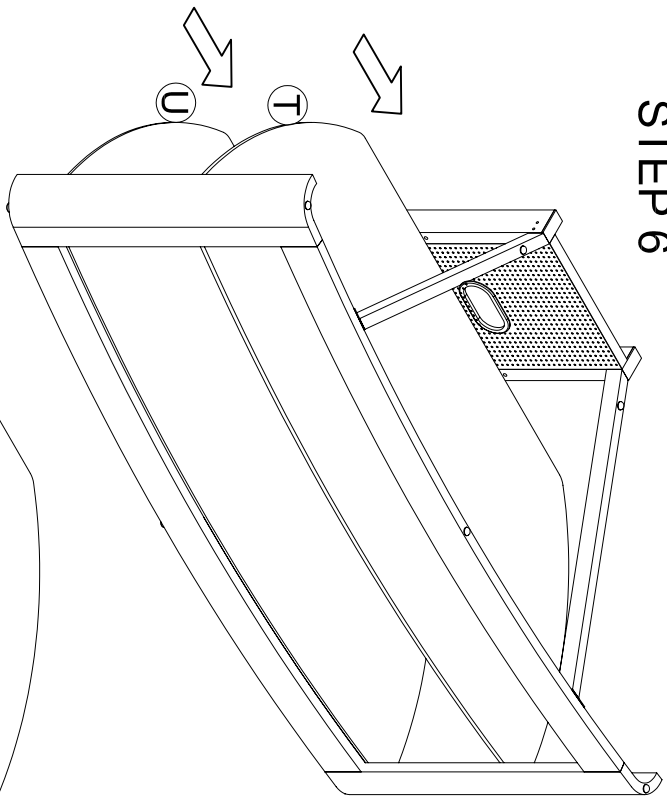


NO.	DESCRIPTION	Q'TY
A	M6x10mm + Ø19	2set
B	M6x12mm	8
C	M6x25mm	4
D	M4x12mm	4
E		5
F		9
G	M6	8
H	Ø15	8
I	M4	1
J	+ M4x12mm	4set
K		2
L		1
M		1
N		1
O		1
P		1
Q		1
R		1
S		1
T		1
U		1

STEP 5



STEP 6



STEP 7

