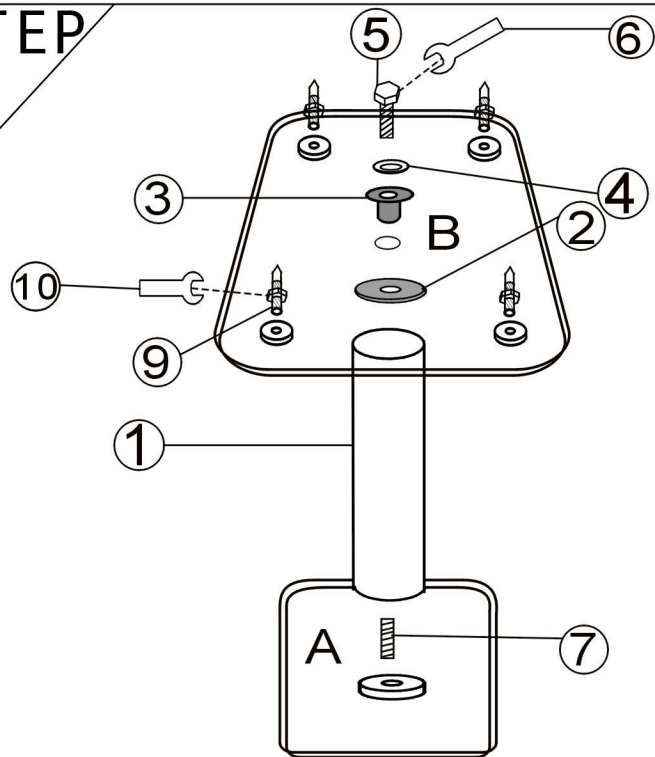
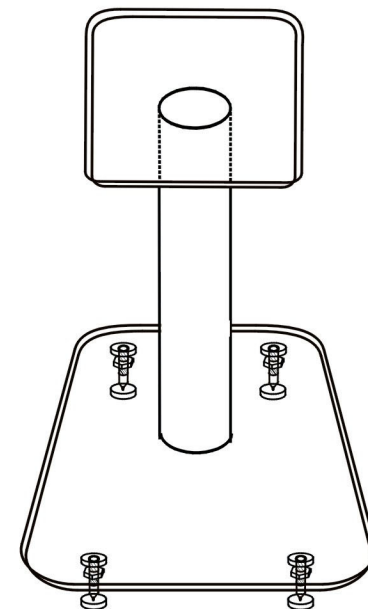
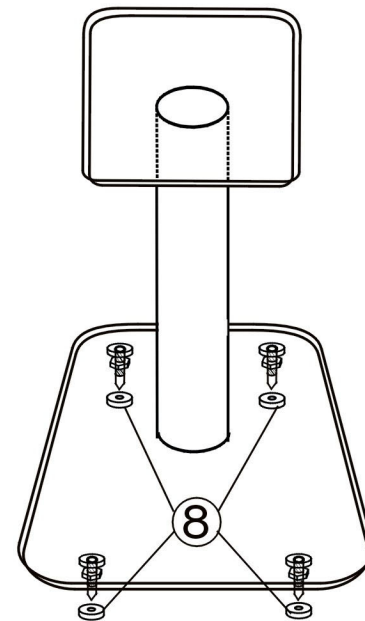


STEP 1



STEP 2



A	B
1*180X180X12	1*300X250X19

1	2	3	4	5	6	7
1* ϕ 76X740	1*	1*	1*M10X35	1*M10X60	1* ϕ 14	1*M10X40

8	9	10
4*	4*M8X35	1* ϕ 13

If you have any missing parts, please send an email to info@transdecointl.com or call 909-606-3833 Mon-fri 9:00AM to 5:00PM Pacific Time. Please have your product model number available.