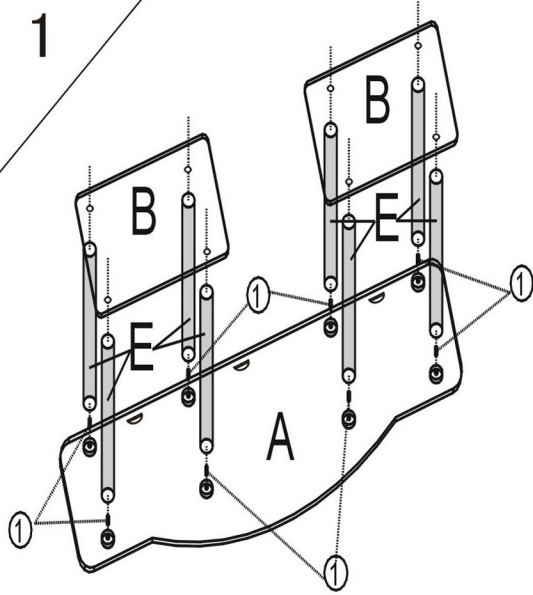


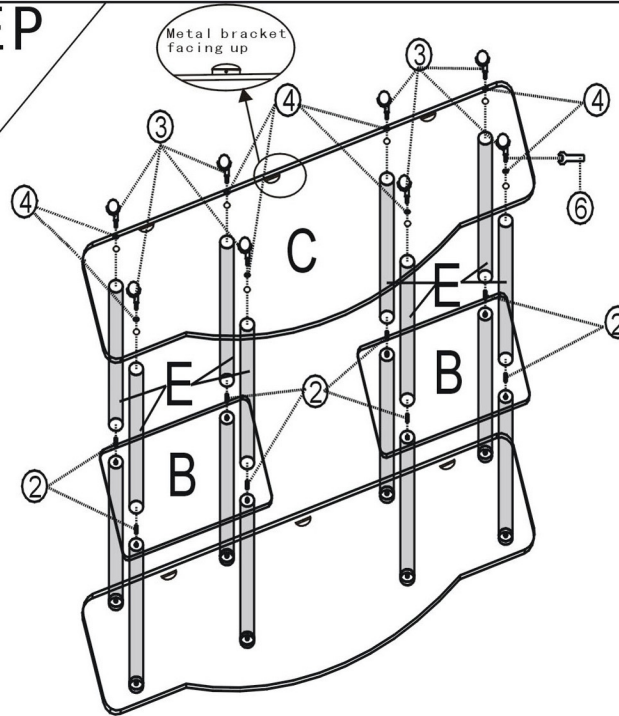
Assembly Instructions

Model: TD108CB

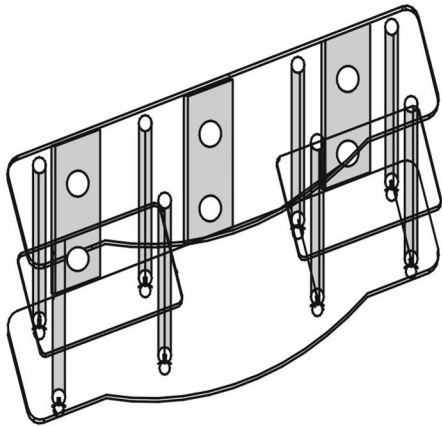
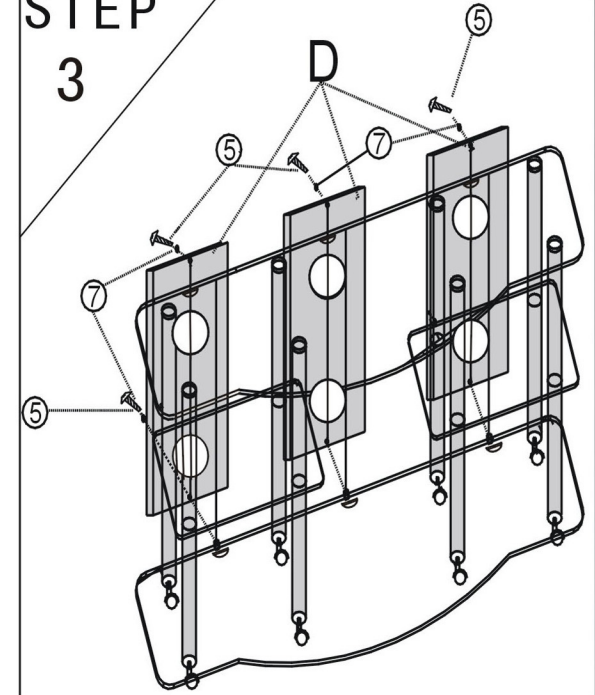
STEP 1



STEP 2



STEP 3



A	B	C	D	E
1* 1650X460X10	2*580X370X10	1* 1650X450X10	3*470X180	16*φ 50X215

1	2	3	4	5	6	7
8*M10X20	8*M10X40	8*	8*M10X35	6*M4X8	1*φ 14	6*M5X9

If you have any missing parts, please send an email to info@transdecointl.com or call 909-606-3833 Mon-fri 9:00AM to 5:00PM Pacific Time. Please have your product model number available.